

IDEAL CLASSIC

NF 30, NF 40, NF 50, NF 60, NF 70 & NF 80

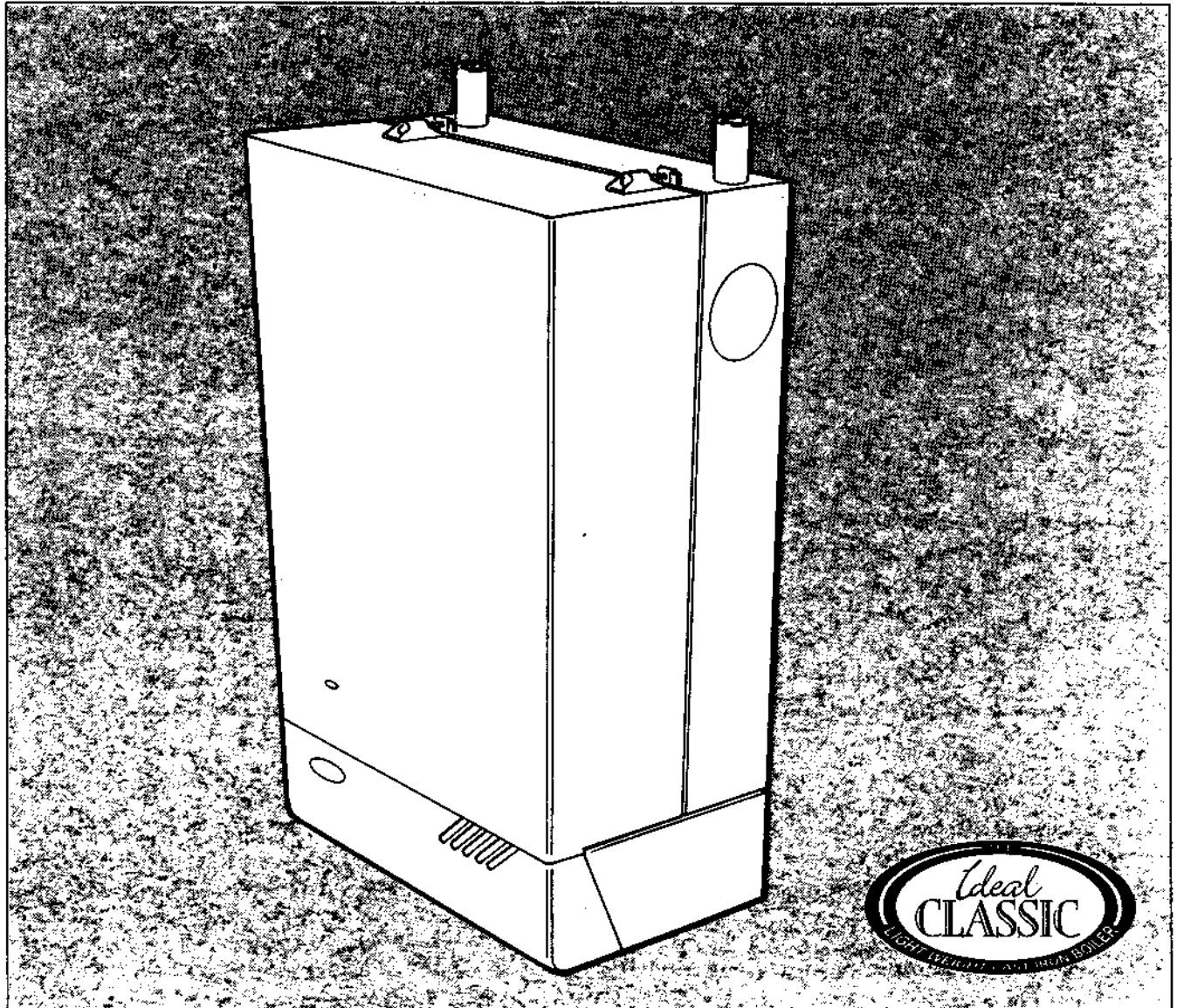
Wall Mounted, Fanned, Balanced Flue Gas Boilers.

User's Instructions.

CAUTION: To avoid the possibility of injury during the installation, servicing or cleaning of this appliance, care should be taken when handling edges of sheet steel components.

IMPORTANT: This appliance is for use with
NATURAL GAS ONLY.


Ideal Classic	G.C. Appliance No.
NF 30	41 429 30
NF 40	41 429 31
NF 50	41 429 32
NF 60	41 429 33
NF 70	41 429 77
NF 80	41 429 34



NOTE TO THE INSTALLER: LEAVE THESE INSTRUCTIONS WITH THE HOUSEHOLDER



The Gas Safety (Installation and Use) Regulations: 1990 impose certain statutory obligations on gas users. Further information may be obtained on application to the Gas Region.

It is the law that all gas appliances are installed by competent persons e.g. CORGI (identified by ) in accordance with the above regulations.

Failure to install appliances correctly could lead to prosecution. It is in your own interest and that of safety to ensure that the law is complied with.

ELECTRICITY SUPPLY

If a mains plug is used it MUST be a 3-pin type, wired as shown in Fig. 1 and fused at 3 A.

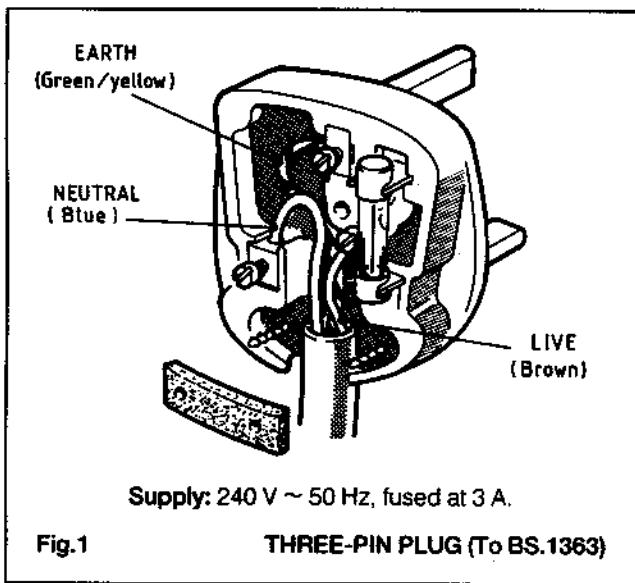
This appliance MUST be efficiently earthed.

As the colour of the wires in the mains lead of this appliance may not correspond with the coloured markings identifying the terminals in your plug, proceed as follows:

The wire which is coloured GREEN and YELLOW must be connected to the terminal in the plug which is marked with the letter E or by the earth symbol '⊕' or coloured GREEN or GREEN and YELLOW.

The wire which is coloured BLUE must be connected to the terminal which is marked with the letter N or coloured BLACK.

The wire which is coloured BROWN must be connected to the terminal which is marked with the letter L or coloured RED.



MINIMUM CLEARANCES

The minimum clearances given below MUST be complied with in order to maintain the safe running of the boiler and to facilitate servicing.

Above the boiler	100 mm (4 in.)
At each side of the boiler	5 mm (1/4 in.)
Underneath the boiler	100 mm (4 in.)
In front of the boiler	450 mm (17 3/4 in.)

IMPORTANT NOTES

- (a) THIS APPLIANCE MUST NOT BE OPERATED WITHOUT THE CASING CORRECTLY FITTED AND FORMING AN ADEQUATE SEAL.
- (b) If the boiler is installed in a compartment, then the

- (c) The ventilation provided for the boiler during installation MUST NOT be blocked and a check should be made periodically that the ventilation areas are free from any obstruction.
- (d) If it is known or suspected that a fault exists on the boiler then it MUST NOT be used until the fault has been corrected by a competent person.

It is essential that the instructions in this booklet are strictly followed for safe and economical operation of the boiler.

TO LIGHT THE BOILER. Refer to Fig. 2.

1. CHECK THAT THE ELECTRICITY SUPPLY TO THE BOILER IS OFF.
2. Open the controls access door by hinging downwards.
3. Ensure the gas inlet cock (b) is OPEN.
4. If fitted, press the overheat reset button (G), located as shown in Fig. 2.
5. Ensure that the mains ON / OFF switch (H) is in the OFF position.
6. Switch ON the electricity supply to the boiler. Check that all external controls e.g. room thermostat etc., are ON.
7. Turn the boiler thermostat knob (D) to position '6' and the mains ON / OFF switch (H) to ON. After about 15 seconds the boiler will light automatically - this can be viewed through the sightglass (A). Set the boiler thermostat to the desired position.
8. Close the controls access door.

In winter conditions, i.e. central heating and domestic hot water, the thermostat should be set at position '5' or '6'.

For summer conditions, i.e. domestic hot water only, the thermostat should be set at position '3'.

However, these settings are offered for general guidance only and other settings may be found preferable, dependent upon the type of system installed or as recommended by the Installer.

Approximate flow temperatures for the boiler thermostat settings are:

Knob Setting	Flow Temperature	
	°C	°F
1	54	130
2	60	140
3	66	150
4	71	160
5	77	170
6	82	180

TO SHUT DOWN THE BOILER

1. **For short periods.**
Set the boiler ON/OFF switch (H) to OFF.
When heating is again required, reset the switch to ON.
2. **For longer periods.**
Turn the boiler ON/OFF switch (H) to OFF.
Switch the electricity supply to OFF.

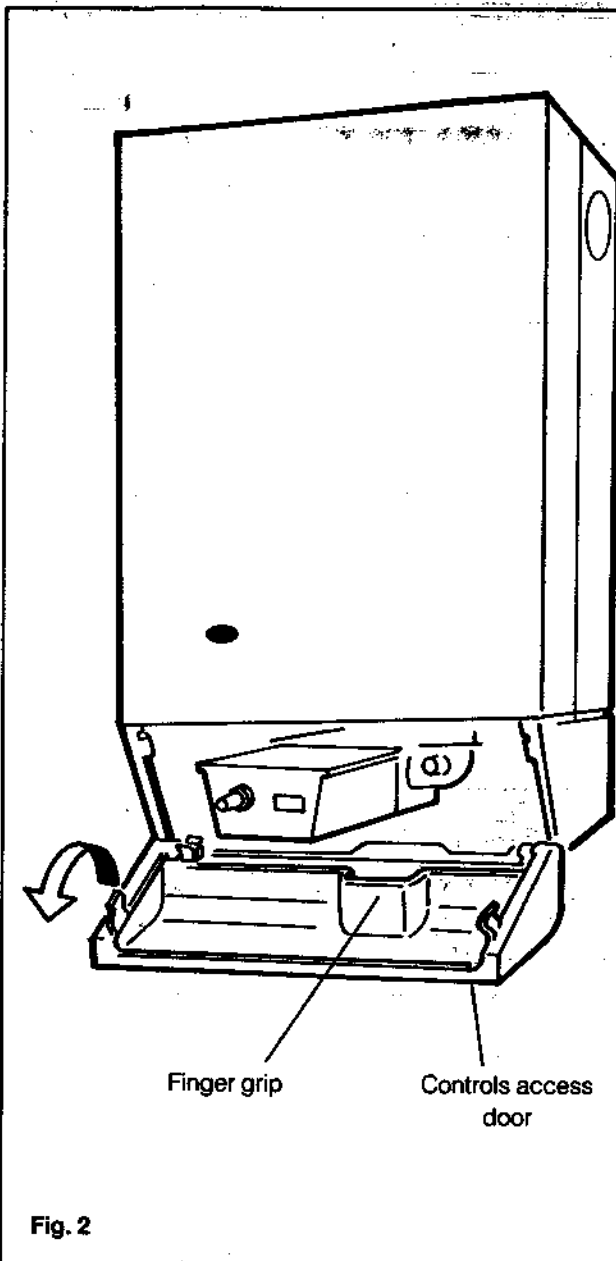
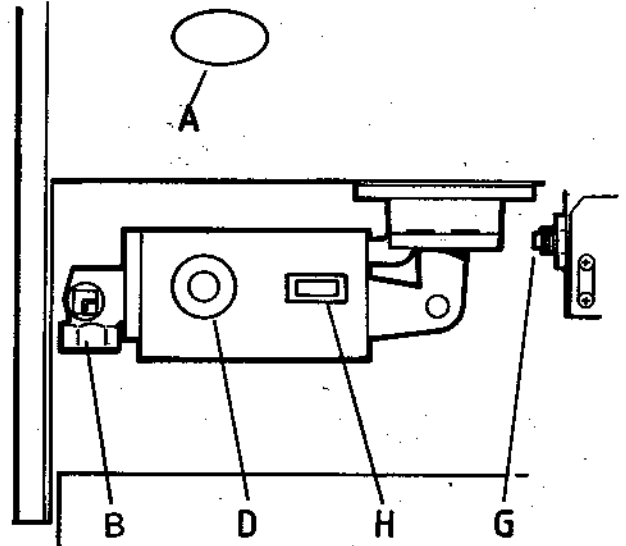


Fig. 2

LEGEND

- A Sightglass
- B Gas inlet cock (shown in the OPEN position)
- D Thermostat knob
- G Overheat reset button (if fitted)
- H Mains ON/OFF switch



VIEW INSIDE BOILER CONTROLS AREA

BOILER CONTROLS

WARNING. If no frost protection is provided and frost is likely during a short absence from home, leave the heating controls at a reduced temperature setting.

For longer periods, the entire system should be drained - including the domestic water supply. If the system includes a frost thermostat, then during cold weather, the boiler should be turned OFF at the time switch(es) ONLY. The mains supply should be left switched ON with the boiler thermostat left in the normal running position.

BOILER OVERHEAT THERMOSTAT
(Fitted for sealed systems only).

The boiler is fitted with a safety 'cut-out' thermostat. This thermostat will shut down the boiler in the event of overheating. Should this occur, allow the boiler to cool, press the reset button (G) and then re-light as detailed in steps 1 - 8 under 'To Light the Boiler'.

If the 'cut-out' condition still persists then turn off the boiler and consult your local Heating Installer.

CONTROL OF WATER TEMPERATURE

1. Adjust the boiler thermostat (D) to give the required temperature for central heating.
2. The boiler thermostat automatically switches the main burner OFF and ON to maintain the selected temperature.

TO RE-LIGHT THE BOILER

Repeat the procedure 1 - 8 detailed in 'To Light the Boiler'.

LOSS OF SYSTEM WATER PRESSURE
(Boilers fitted with a sealed system module only).

If the red arrow on the module pressure gauge is set above zero and the system pressure is seen to fall below this value over a period of time then a water leak is indicated. In this event your local heating installer should be consulted.

DO NOT FIRE THE BOILER IF THE PRESSURE HAS REDUCED TO ZERO FROM THE ORIGINAL SETTING.

ESCAPE OF GAS

Should a gas leak be suspected, contact your local Gas Region without delay.

Do NOT search for gas leaks with a naked flame.

CLEANING

For normal cleaning simply dust with a dry cloth. To remove stubborn marks and stains, wipe with a damp cloth and finish off with a dry cloth.

Do NOT use abrasive cleaning materials.

MAINTENANCE

The appliance should be serviced at least once a year by a qualified Engineer from your local Gas Region.



**THIS SYMBOL IS YOUR
ASSURANCE OF QUALITY**

These appliances are designed for use with Natural Gas only. They have been tested and conform with the provisions of BS. 6332 and BS. 5258.

Products bearing this Kitemark are made to a safety and performance standard under a stringent scheme of supervision and control monitored by the British Standards Institute.

CARADON IDEAL Ltd. pursues a policy of continuing improvement in the design and performance of its products. The right is therefore reserved to vary specification without notice.

CARADON IDEAL Ltd.

P.O. Box 103, National Avenue,

Kingston upon Hull,

North Humberside. HU5 4JN.

Telephone: 01482 492 251

Fax: 01482 448 858.

Registration No. London 322 137.

Registered Office: National Avenue, Kingston upon Hull,

North Humberside, HU5 4JN.

A subsidiary of Caradon p.l.c

August 1994 116 768 A04

Customer Care & Technical Support

Please use the following numbers for speedy assistance.

Spares Tel: 01482 498 643

**Customer Care &
Technical Support** Tel: 01482 498 610

..... Fax: 01482 498 666

Publications/Literature Tel: 01482 498 467

BOILERS
Ideal